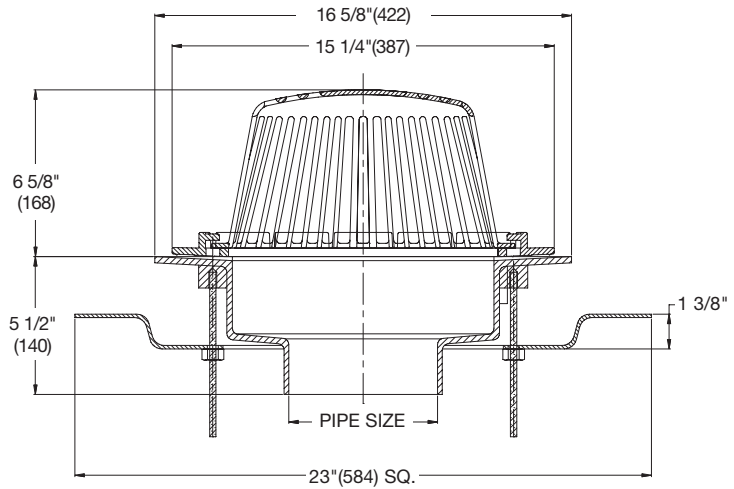


High Volume Roof Drains

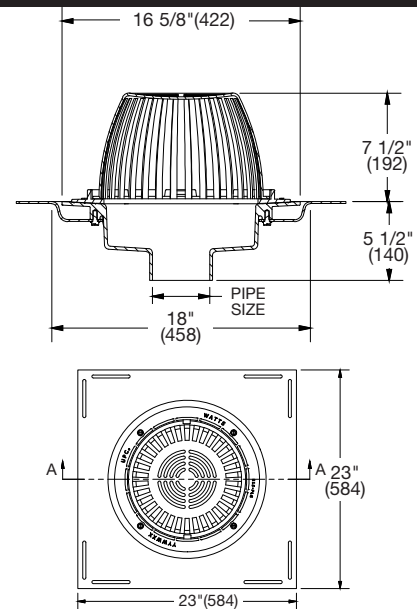
RD-300-F Roof Drain with Adjustable Extension Flange

Model Number	Outlet Size	WT., lbs.	List Price
RD-302, 3, 4-F	2,3,4,"	45	\$1,366.50
RD-305, 6-F	5, 6"	45	1,669.00
RD-308, 10-F	8, 10"	45	1,971.50



RD-300-FB High Volume Roof Drain w/Flange As Sump

Model Number	Outlet Size	WT., Lbs.	List Price
RD-302, 3, 4-FB	2, 3, 4"	48	\$1,336.50
RD-305, 6-FB	5, 6"	48	1,669.00
RD-308, 10-FB	8, 10"	48	1,972.00



RD-300-R Overflow Roof Drain with 2" External Water Dam

Model Number	Outlet Size	WT., lbs.	List Price
RD-302, 3, 4-R	2,3,4,"	32	\$938.00
RD-305, 6-R	5, 6"	32	1,240.00
RD-308, 10-R	8, 10"	32	1,542.50

